

Headset with Electret Microphone

- For professional voice transmission in light ambient noise environment, e.g. aviation, radio communication, TV cameras
- Noise cancelling microphone
- Powerful receivers
- Lightweight
- High wearing comfort
- Predominantly self-extinguishing materials
- Compatible to Holmberg Interface - wide range of adapter cables available



Technical specification

Housing	shock-proof plastic housing	
Colour	black	
Weight without cable	approx. 250 g	
Terminals	PUR-coiled cord, black, straight length 0.75 m, 5-pin LEMO-plug for rapid release safety coupling	
Degree of protection	IP 30	acc. to DIN EN 60529
Temperature range	operation:..... -20 °C up to +60 °C	Nb acc. to DIN EN 60068-2-14
	storage:..... -20 °C up to +60 °C	Nb acc. to DIN EN 60068-2-14
Acceptable relative humidity	≤ 93 %	Db acc. to DIN EN 60068-2-30

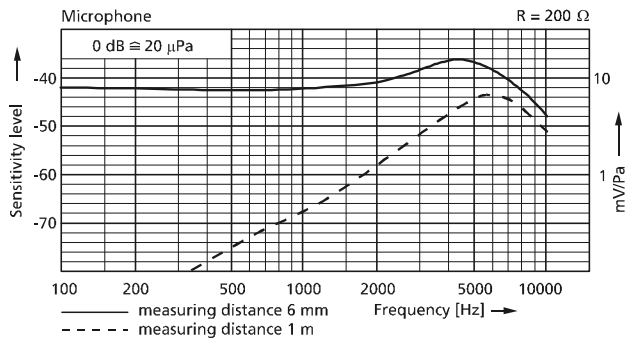
Electroacoustic specification

Microphone

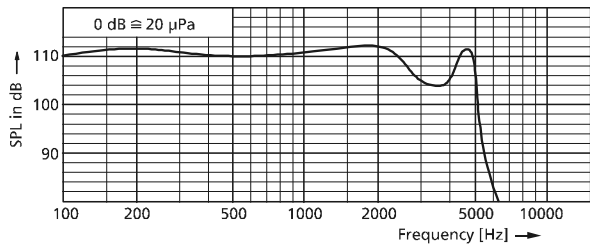
Electroacoustic principle	electret	
Directional characteristic.....	bidirectional	
Free-field nominal sensitivity	8 mV/Pa	<small>[(−42 ± 3) dB, rel. 1 V/Pa] U_b = 2 V, R_L = 680 Ω, f = 1 kHz</small>
Nominal output impedance	2 kΩ up to 6 kΩ	<small>f = 1 kHz</small>
Acceptable terminal voltage	1.5 V up to 10 V	
Current drain	0.15 mA up to 0.45 mA	

Receivers

Electroacoustic principle	dynamic	
DC resistance	5, 10, 50, 100, 200 or 600 Ω per capsule (other values on request)	± 15 %
Nominal power handling capability....	100 mW per capsule	acc. to DIN EN 60268-7
Sound pressure level.....	110 dB	± 2 dB, rel. 20 µPa, measured at IEC 303-coupler, 1 kHz, 1 mW
Receiver wiring.....	in series, parallel or separately led out	

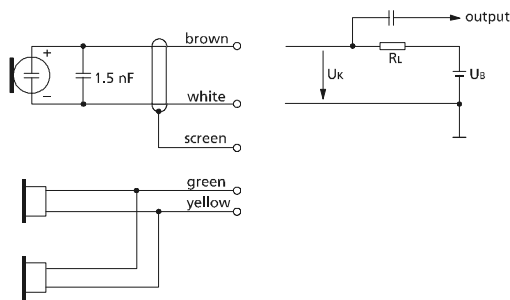


Microphone



Receivers, measured at IEC-303-coupler, 1 mW

Connecting diagram



Included in delivery

Headset with cable, ear cushion cloth-covering

Order details

Version	DC resistance phones	Part No.
Receiver wiring parallel, coiled cable, LEMO-plug for Holmberg Interface	100 Ω per capsule	90-08-11685

Special models

- with microphone amplifier
- with other plug
- without plug, cable ends tinned
- cable length on request

Accessories

Adapter cables with PTT for various radios see data sheet AAC-1

Easy replacable spare parts

- Ear cushion Part No. 27-17-80014
- Head cushion Part No. 27-17-80037
- Ear cushion cloth-covering (1 pair) Part No. 98-05-00001